

# Please Read Carefully Before Use!

## Abridged Operating Instructions for Park Lift Model 440 - 185/180

### Safety Regulations

- The installation is exclusively for the use of cars! except for the entrance side, no other accesses are allowed!
- It is prohibited to enter the pit, to climb onto the raised platform and to work on the platforms.
- In the case of units provided with a door: Only operate the unit when the door is open!
- Before in-parking and out-parking, the platform must be fully in place at the upper or lower position!
- When moving the platform, please make sure that neither you, other persons or objects are standing within the installation's range of movement!
- With double installations, the stairs prohibit simultaneous in and out-parking. Never attempt these at the same time!
- When in-parking or out-parking, always switch on the garage and car lights!
- Always move in forward direction when in-parking!
- Avoid collision:
  - Between the car and the facility when parking and exiting!
  - between the car and the installation/installed parts/building, when the platform is moving!
- Drive onto the platform at walking speed!
- When walking in the installation, watch for protruding edges and unevenness to avoid tripping!
- Beware: danger of slipping on the platform in wet, icy and snowy conditions!
- It is prohibited to drive passengers on the platform!
- Please make sure there are no passengers on the platform when in-parking or out-parking!
- To prevent unauthorised use, always remove key after operation!
- Watch out for children and pets, keep them away from the parking system!

#### Danger to Life and Limb!

Unauthorised entry into the pit is prohibited.

- Lower the system completely
- Switch OFF lockable mains switch and secure against switching ON!



- Stand under raised platforms only if these have been secured in such a way that there is no risk of their being lowered even if shaken.
- Work on hydraulic systems can only be carried out by authorised personnel!

## Operating Instructions—143 Riversdale Road, Hawthorn

### In Parking



Before parking, pay attention to the maximum permissible car weight and car dimensions, in particular when parking for the first time and after the car has undergone modification (vehicle or tyre change, add-on parts etc.) Remove any residues of snow or ice lying in front of the garage and in the way of the vehicle! Do not drive onto a platform with snow chains or spikes! Remove roof rack and ski-bracket. Retract or remove antenna. Unload luggage; close trunk. Make sure that you are about to drive into your parking space! Always position the car on the platform so that no parts of the car protrude beyond the platform at rear or sides. Place the positioning aid depending on car type (exceeding the setting dimensions can damage the vehicle).

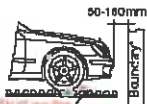


When you park your car in the unit for the first time, our customer service department will be pleased to adjust the positioning aid to suit the vehicle concerned and avoid any risk of damage. We need to make a charge to cover the cost of this service.



#### Positioning Aid

Place the front wedge centrally and directly before the front wheels.



\*La wall, protecting element head, etc.



Move into first gear. (with automatic cars, position P. Put on the handbrake, turn off the engine. Lock doors.



Drive up to the front wedge but do NOT drive over it.

### Out Parking

#### Key Switch Control



Emergency Stop



In the event of danger, press RED EMERGENCY STOP and switch off the Mains Power switch!



The EMERGENCY STOP can be unlocked by turning clockwise.

#### Raising the Platform



Key:

- Insert
- Turn right and hold
- Release when position is reached. (will automatically spring back)
- Remove key

#### Lowering the Platform



Key:

- Insert
- Turn left and hold

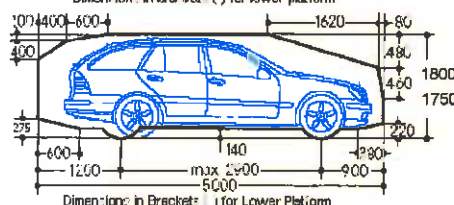
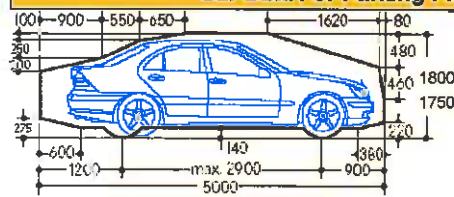
Key:

- Release when position is reached. (will automatically spring back)
- Remove key



Danger of foot being crushed

### Car Data For Parking Place Width of 2.50 m



Max Length	5000
Max Width (with outside mirrors)	2500 mm
(with parking place width of 2100 mm)	
Max Height (upper platform)	1800 mm
Max Height (lower platform)	1750 mm
Maximum weight	2000 Kg
Maximum wheel load	600 kg
*See carrying capacity sign at the platform	

Car parking solutions



18 Koornang Road  
Scoresby Victoria 3178 Australia  
Phone: +61 3 9763 5899 Fax: +61 3 9763 0058

# Please Read Carefully Before Use!

## Abridged Operating Instructions for Park Lift Model 440 - 185/180

### Safety Regulations

- The installation is exclusively for the use of cars! except for the entrance side, no other access are allowed!
- It is prohibited to enter the pit, to climb onto the raised platform and to work on the platforms.
- In the case of units provided with a door: Only operate the unit when the door is open!
- Before in-parking and out-parking, the platform must be fully in place at the upper or lower position!
- When moving the platform, please make sure that neither you, other persons or objects are standing within the installation's range of movement!
- With double installations, the statics prohibit simultaneous in and out-parking. Never attempt these at the same time!
- When in-parking or out-parking, always switch on the garage and car lights!
- Always move in forward direction when in-parking!
- Avoid collision:
  - Between the car and the facility when parking and exiting!
  - between the car and the installation/installed parts/building, when the platform is moving!
- Drive onto the platform at walking speed!
- When walking in the installation, watch for protruding edges and unevenness to avoid tripping!
- Beware: danger of slipping on the platform in wet, icy and snowy conditions!
- It is prohibited to drive passengers on the platform!
- Please make sure there are no passengers on the platform when in-parking or out-parking!
- To prevent unauthorised use, always remove key after operation!
- Watch out for children and pets, keep them away from the parking system!

#### Danger to Life and Limb!

Unauthorised entry into the pit is prohibited.

- Lower the system completely
- Switch OFF lockable mains switch and secure against switching ON!



- Stand under raised platforms only if these have been secured in such a way that there is no risk of their being lowered even if shaken.
- Work on hydraulic systems can only be carried out by authorised personnel!

## Operating Instructions—143 Riversdale Road, Hawthorn

### In Parking



Before parking, pay attention to the maximum permissible car weight and car dimensions, in particular when parking for the first time and after the car has undergone modification (vehicle or tyre change, add-on parts etc.). Remove any residues of snow or ice lying in front of the garage and in the way of the vehicle! Do not drive onto a platform with snow chains or spikes! Remove roof rack and ski-bracket. Retract or remove antenna. Unload luggage; close trunk. Make sure that you are about to drive into your parking space! Always position the car on the platform so that no parts of the car protrude beyond the platform at rear or sides. Place the positioning aid depending on car type (exceeding the setting dimensions can damage the vehicle).

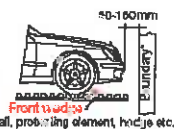


When you park your car in the unit for the first time, our customer service department will be pleased to adjust the positioning aid to suit the vehicle concerned and avoid any risk of damage. We need to make a charge to cover the cost of this service.



#### Positioning Aid

Place the front wedge centrally and directly before the front wheels.



\*i.e. wall, protruding element, hedge etc.



Move into first gear. (with automatic cars, position P. Put on the handbrake, turn off the engine. Lock doors.



Drive up to the front wedge but do NOT drive over it.

### Out Parking

#### Key Switch Control



Emergency Stop



In the event of danger, press RED EMERGENCY STOP and switch off the Mains Power switch!



The EMERGENCY STOP can be unlocked by turning clockwise.

#### Raising the Platform



Key:

- Insert
- Turn right and hold
- Release when position is reached. (will automatically spring back)
- Remove key

#### Lowering the Platform



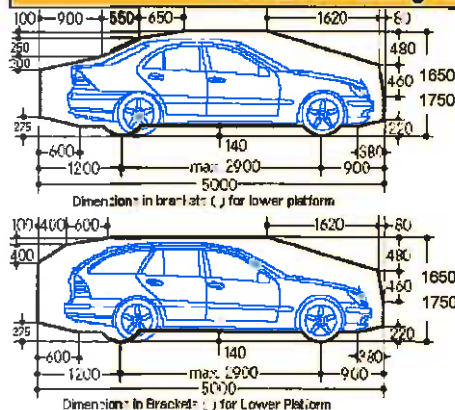
Key:

- Insert
  - Turn left and hold
- Key:
- Release when position is reached. (will automatically spring back)
  - Remove key



Danger of foot being crushed

### Car Data For Parking Place Width of 2.50 m



Max Length	5000
Max Width (with outside mirrors)	2500 mm
(with parking place width of 2100 mm)	
Max Height (upper platform)	1850 mm
Max Height (lower platform)	1750 mm

Maximum weight 2000 Kg  
Maximum wheel load 500 kg  
See carrying capacity sign at the platform

Car Parking Solutions



19 Koornang Road  
Scoresby Victoria 3178 Australia  
Phone: +61 3 9763 5899 Fax: +61 3 9763 0058

# Please Read Carefully Before Use!

## Abridged Operating Instructions for Park Lift Model 440 - 185/180

### Safety Regulations

- The installation is exclusively for the use of cars! except for the entrance side, no other access are allowed!
- It is prohibited to enter the pit, to climb onto the raised platform and to work on the platforms.
- In the case of units provided with a door: Only operate the unit when the door is open!
- Before in-parking and out-parking, the platform must be fully in place at the upper or lower position!
- When moving the platform, please make sure that neither you, other persons or objects are standing within the installation's range of movement!
- With double installations, the statics prohibit simultaneous in and out-parking. Never attempt these at the same time!
- When in-parking or out-parking, always switch on the garage and car lights!
- Always move in forward direction when in-parking!
- Avoid collision:
  - Between the car and the facility when parking and exiting!
  - between the car and the installation/installed parts/building, when the platform is moving!
- Drive onto the platform at walking speed!
- When walking in the installation, watch for protruding edges and unevenness to avoid tripping!
- Beware: danger of slipping on the platform in wet, icy and snowy conditions!
- It is prohibited to drive passengers on the platform!
- Please make sure there are no passengers on the platform when in-parking or out-parking!
- To prevent unauthorised use, always remove key after operation!
- Watch out for children and pets, keep them away from the parking system!

#### Danger to Life and Limb!

Unauthorised entry into the pit is prohibited.

- Lower the system completely
- Switch OFF lockable mains switch and secure against switching ON!



- Stand under raised platforms only if these have been secured in such a way that there is no risk of their being lowered even if shaken.
- Work on hydraulic systems can only be carried out by authorised personnel!

## Operating Instructions—143 Riversdale Road, Hawthorn

### In Parking

Before parking, pay attention to the maximum permissible car weight and car dimensions, in particular when parking for the first time and after the car has undergone modification (vehicle or tyre change, add-on parts etc.) Remove any residues of snow or ice lying in front of the garage and in the way of the vehicle! Do not drive onto a platform with snow chains or spikes! Remove roof rack and ski-bracket. Retract or remove antenna. Unload luggage; close trunk. Make sure that you are about to drive into your parking space! Always position the car on the platform so that no parts of the car protrude beyond the platform at rear or sides. Place the positioning aid depending on car type (exceeding the setting dimensions can damage the vehicle).



When you park your car in the unit for the first time, our customer service department will be pleased to adjust the positioning aid to suit the vehicle concerned and avoid any risk of damage. We need to make a charge to cover the cost of this service.



#### Positioning Aid

Place the front wedge centrally and directly before the front wheels.



\*i.e. wall, positioning element, hedge, etc.



Move into first gear. (with automatic cars, position P. Put on the handbrake, turn off the engine. Lock doors.



Drive up to the front wedge but do NOT drive over it.

### Out Parking

#### Key Switch Control



Emergency Stop



In the event of danger, press RED EMERGENCY STOP and switch off the Mains Power switch!



The EMERGENCY STOP can be unlocked by turning clockwise.

#### Raising the Platform



#### Key:

- Insert
- Turn right and hold
- Release when position is reached. (will automatically spring back)
- Remove key

#### Lowering the Platform



#### Key:

- Insert
- Turn left and hold

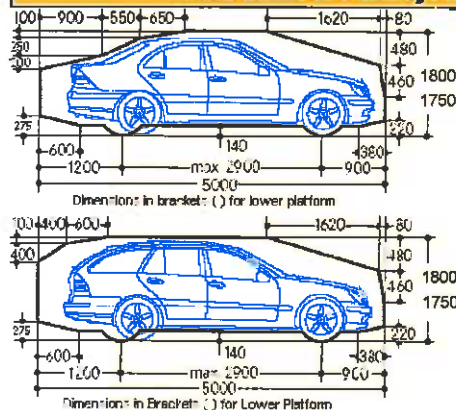
#### Key:

- Release when position is reached. (will automatically spring back)
- Remove key

Danger of foot being crushed



### Car Data For Parking Place Width of 2.50 m



Max Length	5000
Max Width (with outside mirrors)	2500 mm
(with parking place width of 2100 mm)	
Max Height (upper platform)	1800 mm
Max Height (lower platform)	1750 mm

Maximum weight	2000 Kg
Maximum wheel load	500 kg
See carrying capacity sign at the platform	

Car Parking Solutions



19 Koornang Road  
Scoresby Victoria 3178 Australia  
Phone: +61 3 9763 5899 Fax: +61 3 9763 0058